

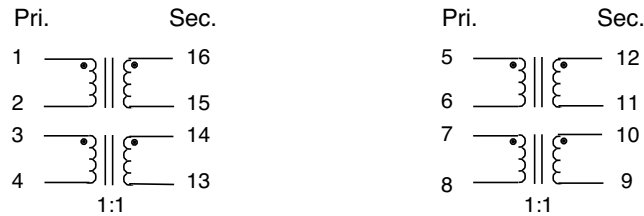
EPE6103S

- For Adapter Cards, MAUs, HUBs and Motherboard Applications
- Complies with or exceeds IEEE 802.3, 10Base-T Standards
- Robust design allows for toughest soldering processes
- 2000 Vrms Isolation

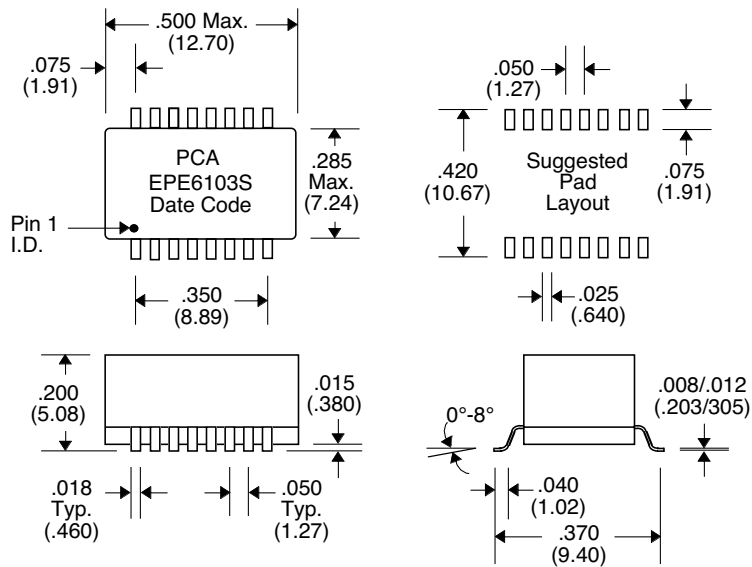
Electrical Parameters @ 25° C

Primary Inductance (μ H Min.)	Interwinding Capacitance (pF Max.)	Leakage Inductance (μ H Max.)	Primary DCR (Ω Max.)	Secondary DCR (Ω Max.)
@ 100 KHz, 20 mVrms	@ 100 KHz, 20 mVrms	@ 100 KHz, 20 mVrms		
140	12	0.20	0.40	0.40

Schematic



Package



Unless Otherwise Specified Dimensions are in Inches /mm $\pm .010 / .25$